

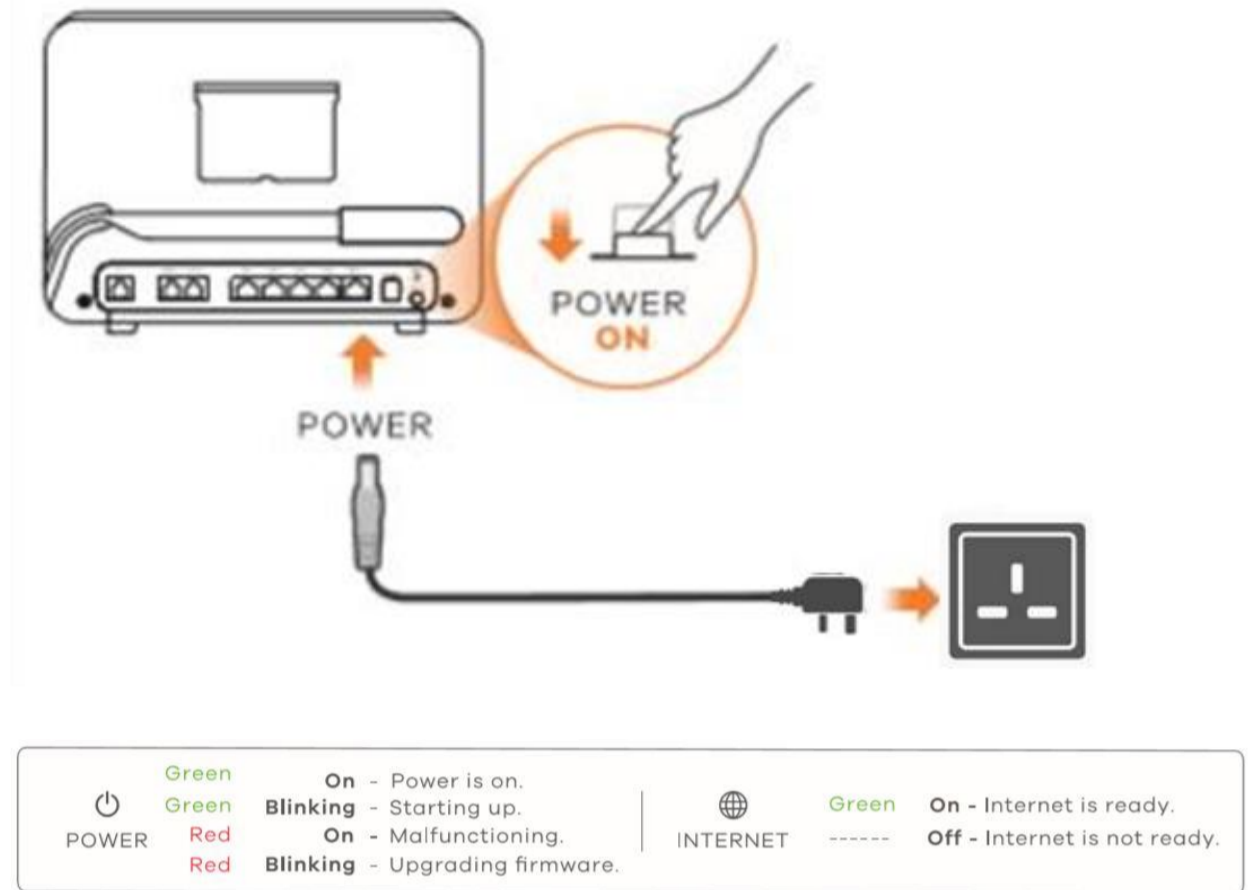
B4RN - Zyxel Router Quick Start Guide

Power Connection

1 – A B4RN engineer will have connected the router to the fibre wall outlet with a fibre patch cable.

Important: do not remove, bend, trap or damage this white fibre cable as this will cut off the B4RN service.

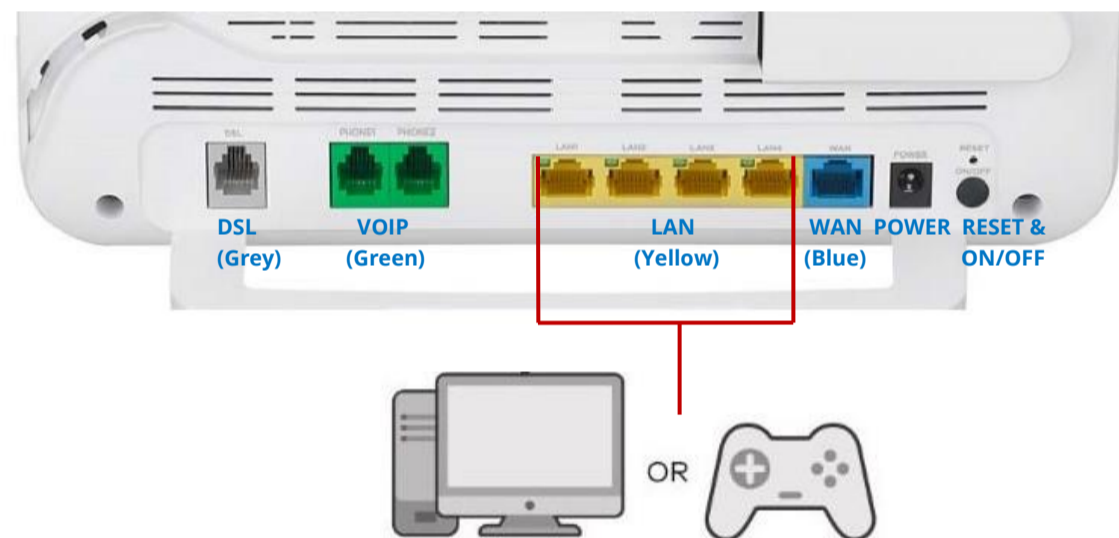
2 – Connect the power cable to the router and press the power button.



Connections

Connect a computer or other device(s) to the yellow LAN ports using an Ethernet cable (Cat5e or above).

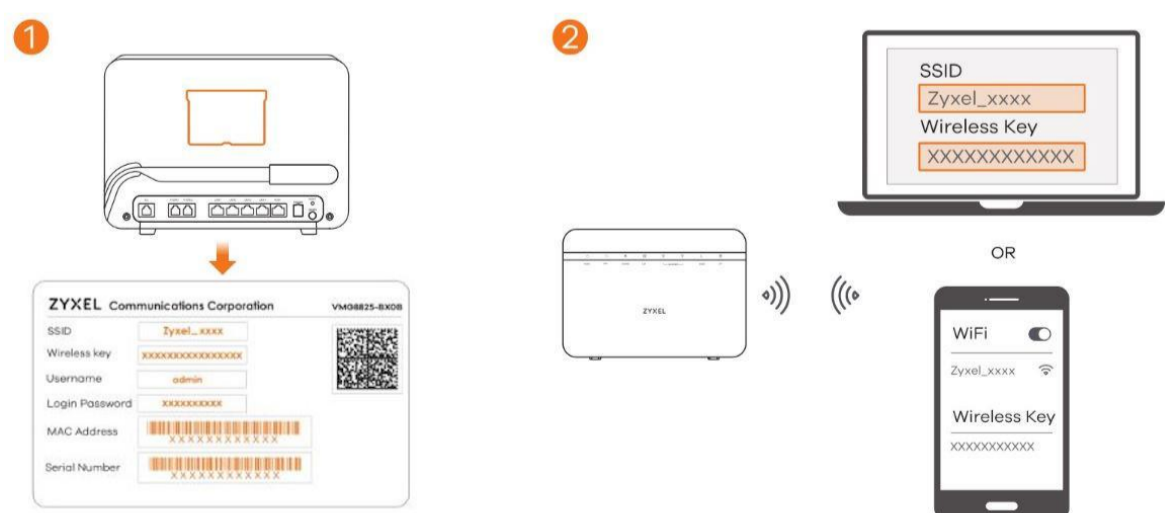
Important: B4RN recommends connecting as many devices as possible directly to the router via ethernet cable to take full advantage of the gigabit connection.



Wi-Fi Connection (using SSID)

1 – The SSID (or Network Name) and Wireless Key (sometimes call Password) are on a card at the rear of the router.

2 – On your smartphone, laptop or other Wi-Fi capable device(s), find this SSID. Enter the Wireless Key to connect.



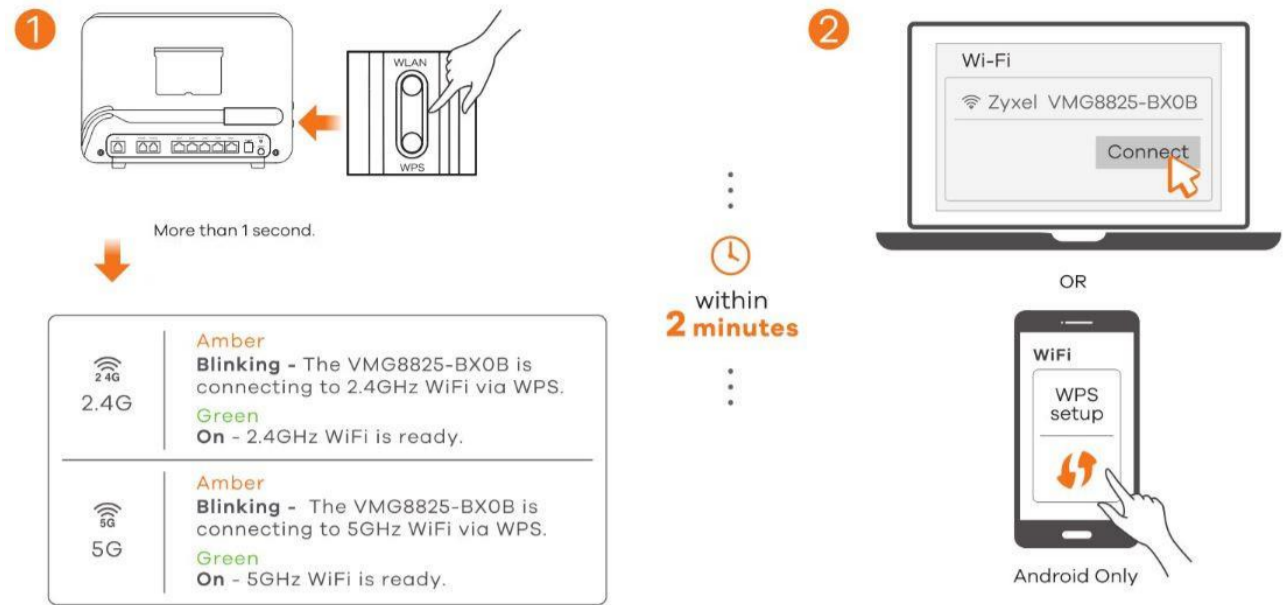
Scan the QR code on the device label to see the SSID and Wireless Key on your smartphone

B4RN - Zyxel Router Quick Start Guide

Wi-Fi Connection (using WPS)

1 – Press the WPS button until the Wi-Fi 2.4G and 5G light up in amber.

2 – Press the WPS button on the client. If the WPS method fails, perform the using SSID method.

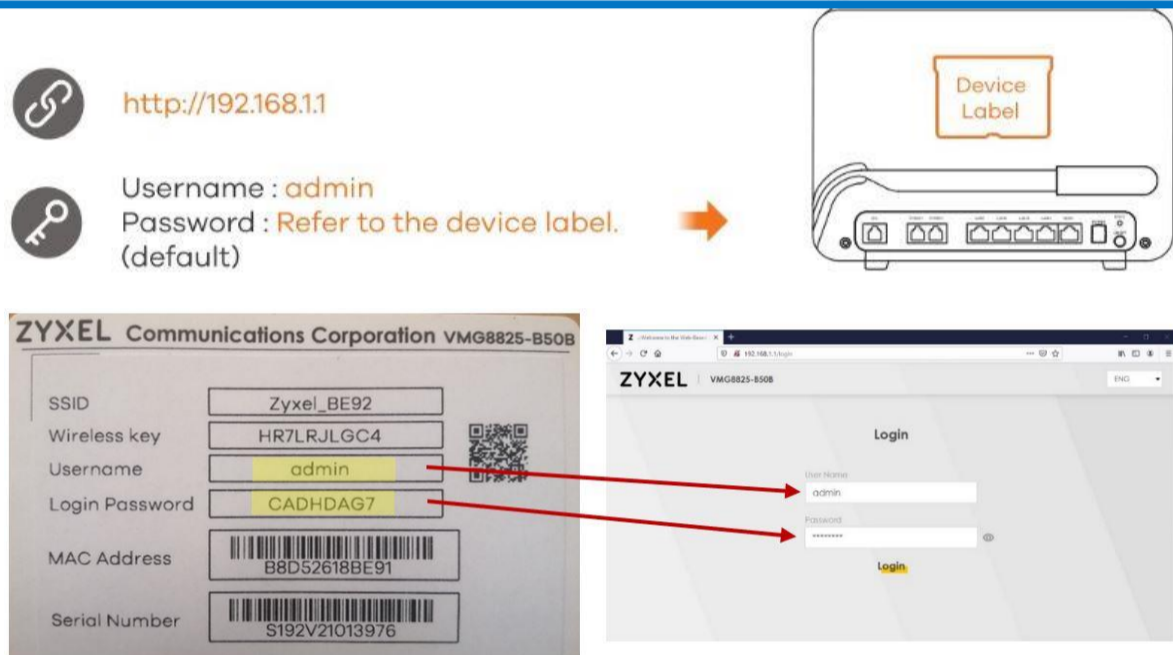


Managing the Router Using an Internet Browser

1 – Your device must be connected to the router via ethernet or Wi-Fi

2 – Open a web browser and go to <http://192.168.1.1>

3 – Enter the default Username (admin) and admin Login Password (on the device label), and then click Login.



DID YOU KNOW? – Once you're logged into this router you can access the likes of Parental Controls (block devices; schedule Wi-Fi times; and block websites) or Guest Wi-Fi settings (handy if, say, you rent out a room or your home). Find the full Zyxel router user guide at b4rn.org.uk

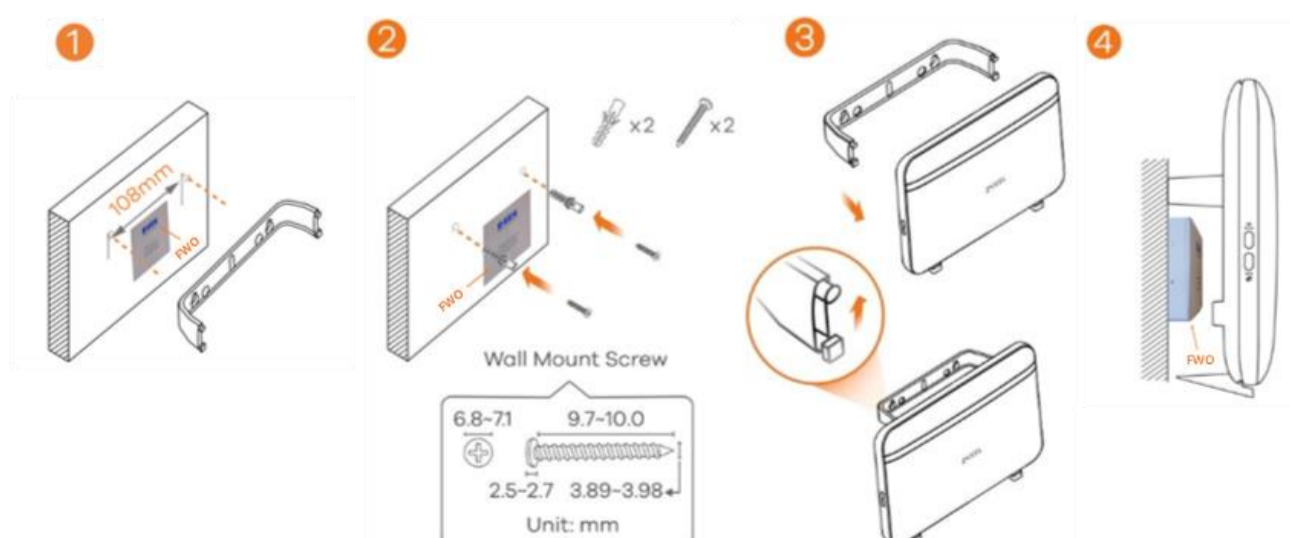
Wall Mounting (Optional)

Holes may already have been drilled for the router bracket. If that's not the case, drill two holes 108mm apart and 30 mm above the fibre wall outlet. Insert wall plugs and screws (provided) into the holes. Fit the bracket over the screws (slot at the top) and tighten. Attach the router to the bracket.



The standard provided patch cable will be 0.5m long. Longer lengths are available (at extra cost) from your local volunteer coordinator or B4RN.

B4RN recommend as short a distance as possible between the Fibre Wall Outlet (FWO, pictured **above left**) and the router's SFP port (pictured, **above right**). This minimises the chance of damage to the fibre patch cable (pictured, **above centre**). Ideally, a wall mounted router will sit directly over the FWO (diagram **below**).



Need more help?
B4RN HELP DESK
01524 238499
info@b4rn.org.uk